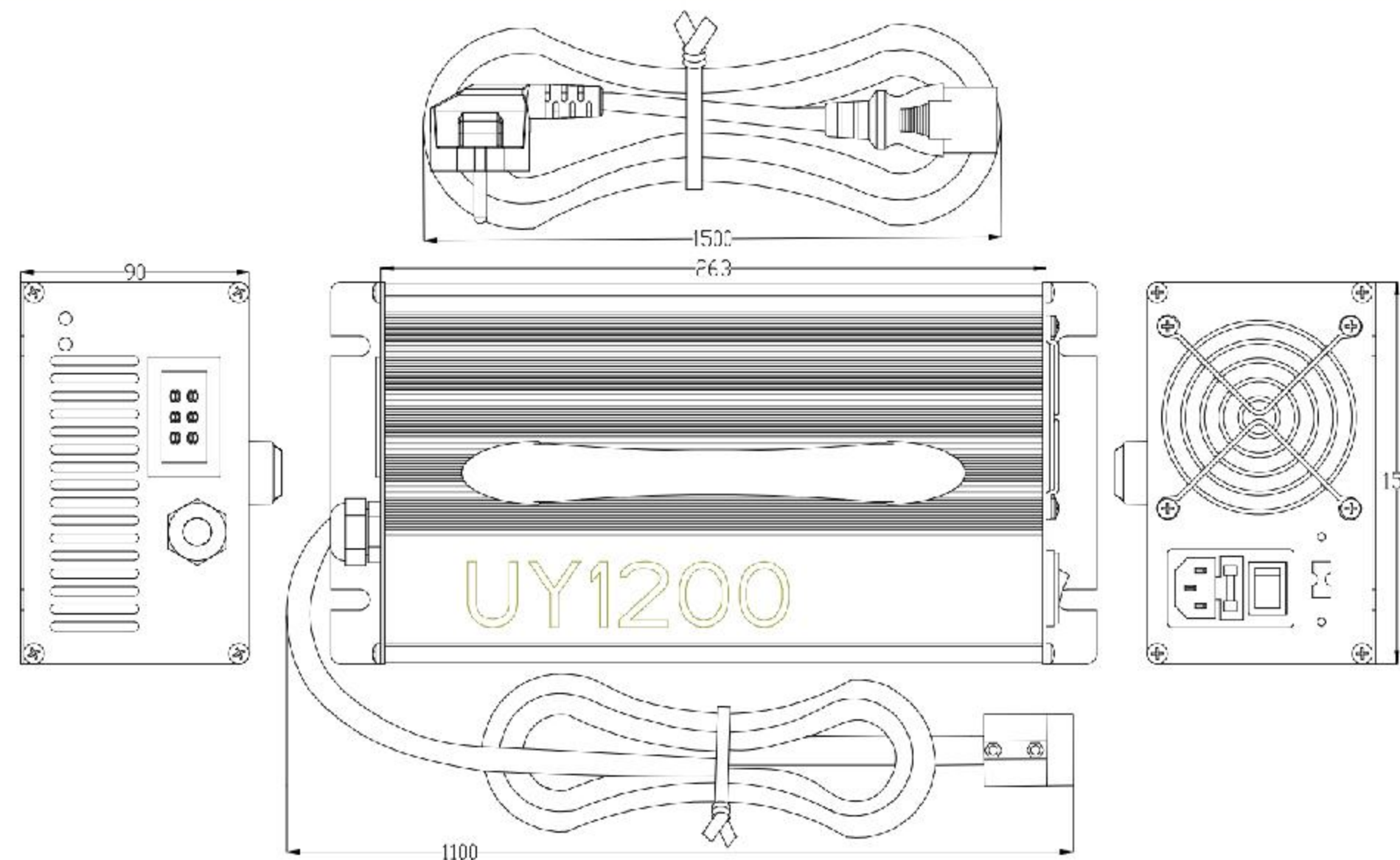


# UY1200 Series Chargers

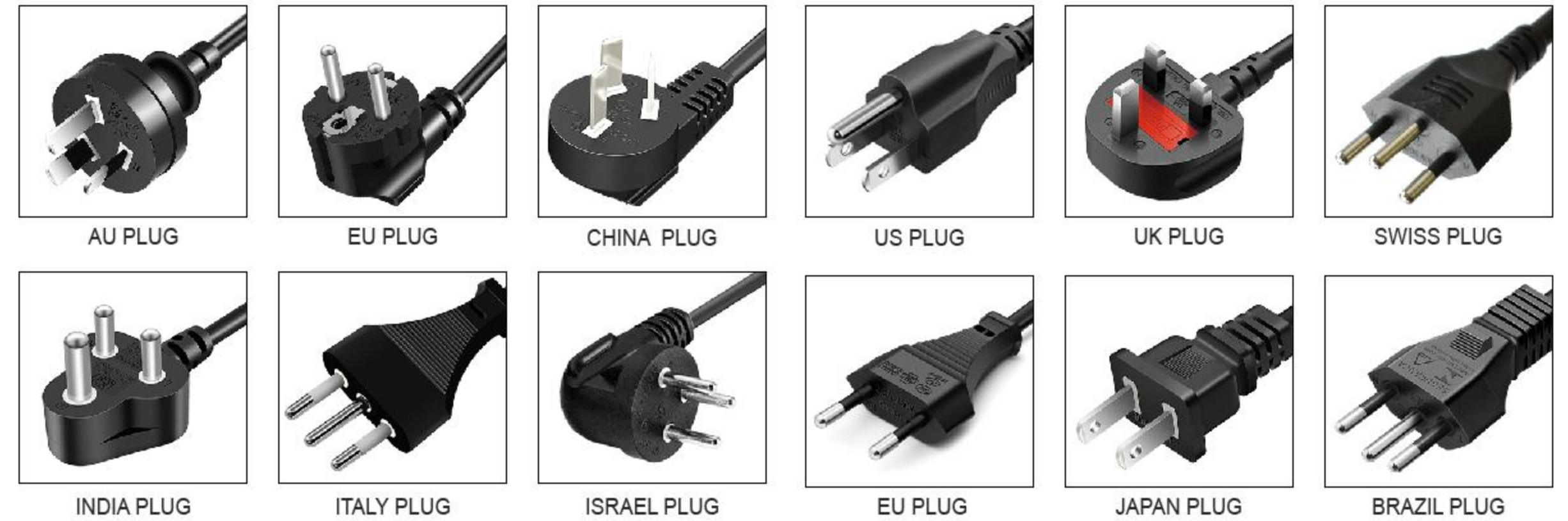


(UNIT: MM)

## Product Specification

Total output power	1200W
Output circuit	Single output
Output voltage	12 -120V
Input range	AC:100-120Vac/200-240Vac
Frequency	50 - 60Hz
Frequency	25A
Maximum input power	1349W
Maximum input power	≥89%(Typical value)
Efficiency	≤0.75mA
Fan noise	≤55dB
Operating temperature	-20℃—+40℃
Storage temperature	-40~70℃
Product characteristics	<ul style="list-style-type: none"> <li>The current type half bridge circuit topology is adopted, which is stable, efficient and energy saving;</li> <li>Simple and practical, classical reliable current type half-bridge circuit topology;</li> <li>Voltage &amp; Current LED meter display (optional);</li> <li>Intelligent cooling fan, controlled by temperature;</li> </ul>
Security authentication	EN 62368-1:2014+A11:2017

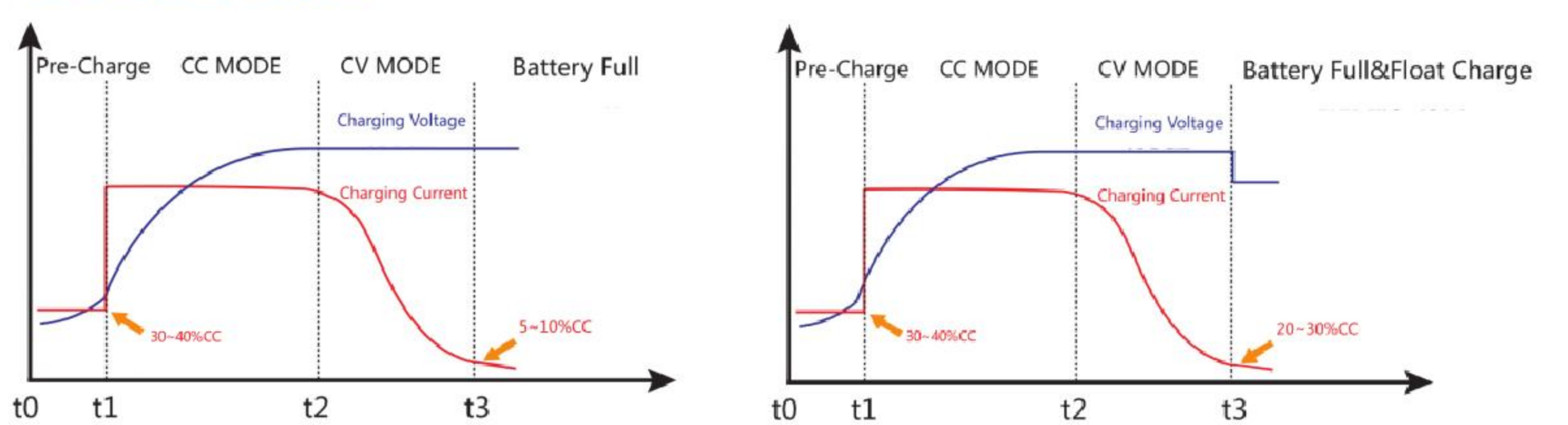
### Common Input Connectors



### Common Output Connector



### Charging Curve Diagram



## Output Reference

Model	Output Voltage	Constant Voltage	Constant Current	Switching Current		AC Input Plugs (optional)	DC Output Plugs (optional)	Adjustment Rate/Load Adjustment Rate
				Li (CC8%)	Lead-acid (CC25%)			
1	12 V	14.6 V	50 A	4000ma	12500ma	"Power Cable Details"	"Interface Details"	1%
2	24 V	29.4 V	35 A	2800ma	8750ma	"Power Cable Details"	"Interface Details"	1%
3	36 V	43.8 V	25 A	2000ma	6250ma	"Power Cable Details"	"Interface Details"	1%
4	48 V	58.8 V	20 A	1600ma	5000ma	"Power Cable Details"	"Interface Details"	1%
5	60 V	67.2 V	15 A	1200ma	3750ma	"Power Cable Details"	"Interface Details"	1%
6	72 V	87.6 V	12 A	960ma	3000ma	"Power Cable Details"	"Interface Details"	1%
7	84 V	102.9 V	11 A	880ma	2750ma	"Power Cable Details"	"Interface Details"	1%
8	96 V	109.2 V	10 A	800ma	2500ma	"Power Cable Details"	"Interface Details"	1%
9	108V	117.6 V	8 A	640ma	2000ma	"Power Cable Details"	"Interface Details"	1%
10	120 V	134.4 V	6 A	480ma	1500ma	"Power Cable Details"	"Interface Details"	1%