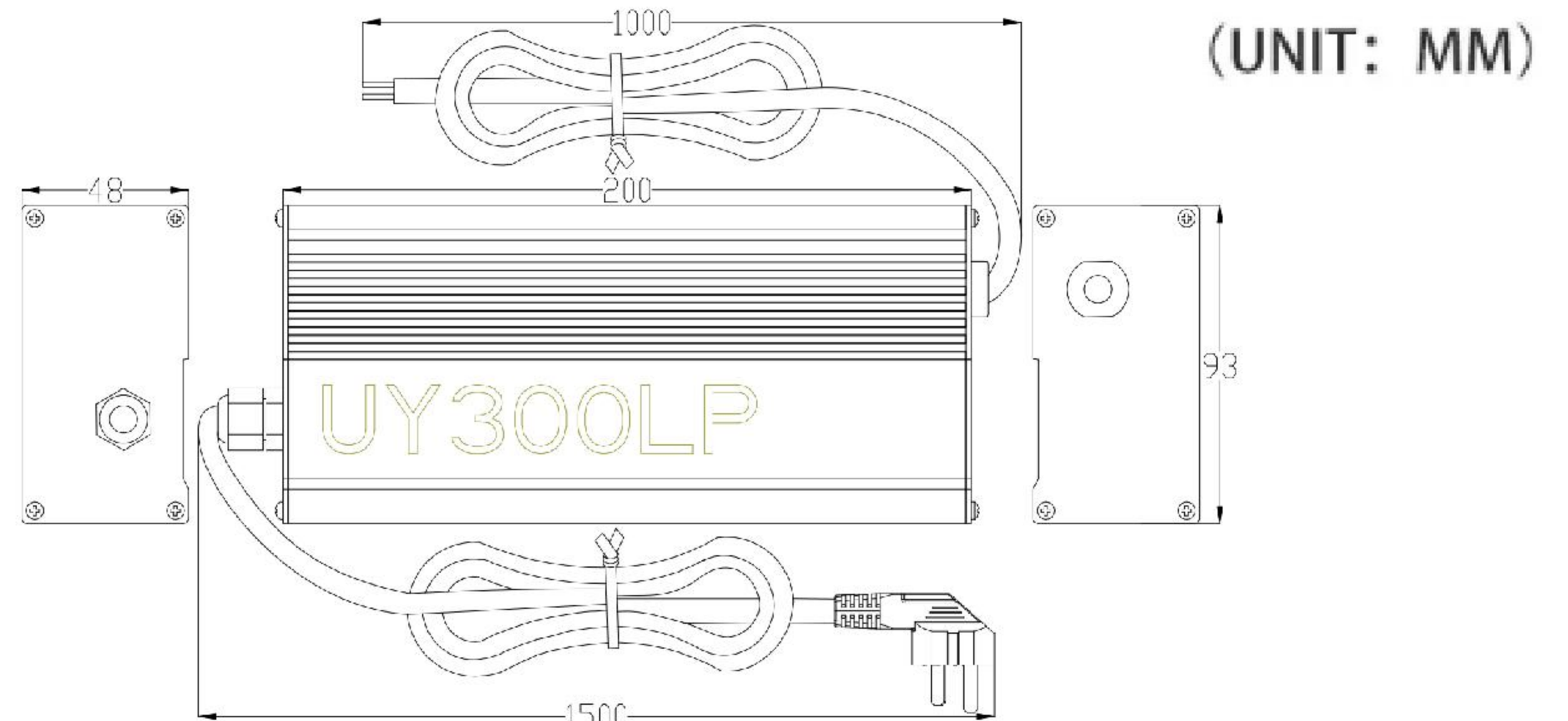


UY300LP Series Chargers



Product Specification

Total output power	300W
Output circuit	Single output
Output voltage	12 -72V
Input range	AC:100-240Vac(Automatic wide pressure)
Frequency	47 - 63Hz
Input fuse	8A
Power factor	.0.99
Maximum input power	327W
Efficiency	≥92%
Leakage current	≤0.75mA
Operating temperature	-20℃—+40℃
Storage temperature	-40~70℃
Product characteristics	<ul style="list-style-type: none"> Two-color LED indicates charging status (digital tube real-time charging voltage display); Two-color LED charging status display; Stable and reliable voltage-type half-bridge circuit topology; Waterproof grade IP65;
Security authentication	CE -LVD EN60335
	CE EN55014
	CB IEC60335
	C-TUV-UL UL1012 Part15B

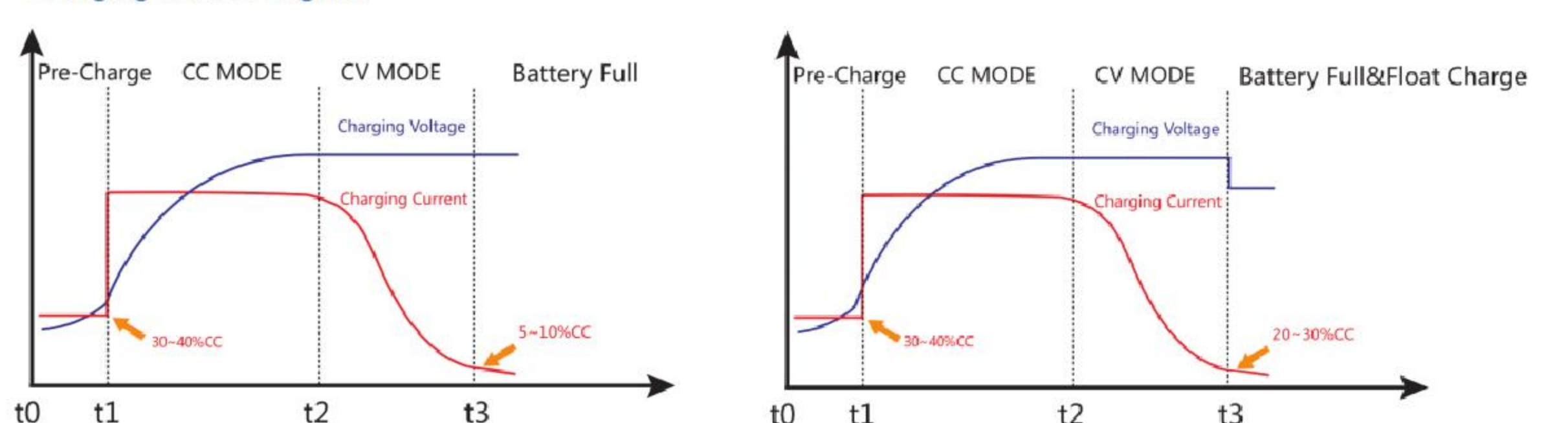
Common Input Connectors



Common Output Connector



Charging Curve Diagram



Output Reference

Model	Output Voltage	Constant Voltage	Constant Current	Switching Current		AC Input Plugs (optional)	DC Output Plugs (optional)	Adjustment Rate/Load Adjustment Rate
				Li (CC8%)	Lead-acid (CC25%)			
1	12 V	14.6 V	20 A	1600ma	5000ma	“电源线详情”	“接口详情”	1%
2	24 V	29.4 V	12 A	960ma	3000ma	“电源线详情”	“接口详情”	1%
3	36 V	43.8 V	8 A	640ma	2000ma	“电源线详情”	“接口详情”	1%
4	48 V	58.8 V	6 A	480ma	1500ma	“电源线详情”	“接口详情”	1%
5	60 V	67.2 V	5 A	400ma	1250ma	“电源线详情”	“接口详情”	1%
6	72 V	87.6 V	4 A	320ma	1000ma	“电源线详情”	“接口详情”	1%
7	84 V	102.9 V	3 A	240ma	750ma	“电源线详情”	“接口详情”	1%