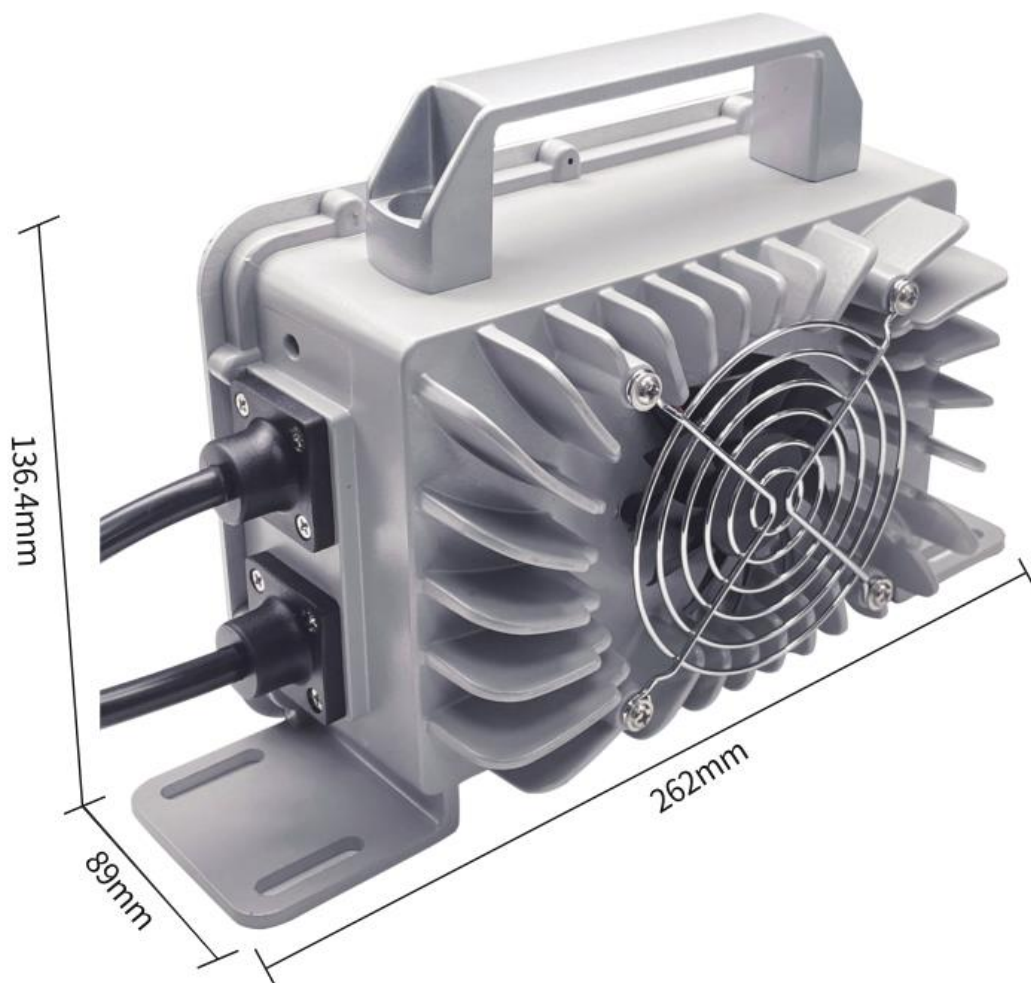


UY600LP系列充电器(600W)/UY600LP SERIES CHARGER



输入范围:AC:100-240Vac(自动宽压)

防水等级:IP66

通讯:CAN、RS485

产品特性 PRODUCT FEATURES

- APFC+LLC谐振半桥拓扑, 满载PF值0.99+
- MCU控制输出电压电流缓升, 对电池无冲击, 效率高, 稳定性好, 低碳节能, 满足不同电池充电曲线要求
- 具有过压、过流、过温、短路、反接、充满关断或涓流、防逆充电等多重保护
- 温度+负载电流双重控制散热风扇转速
- 铝合金外壳, 提手设计、易携带,智能温控风扇设计, 节能减排
- APFC+LLC resonant half bridge topology, full load PF value 0.99+
- MCU controls the output voltage and current to rise slowly, which has no impact on the battery, high efficiency, good stability, low carbon and energy saving, and meets the requirements of different battery charging curves
- Protections: Over Current, Over Voltage, Over temperature, Short Circuit, Reverse Polarity, shut off or trickle and anti-reverse charge
- Temperature+load current dual control cooling fan speed
- Optionally add single-chip function communication to meet the needs of functional differentiation and customization

产品参数/Product parameters

输出电压 Output voltage	12V 14-17V	24V 25-30V	36V 40-45V	48V 50-62V	60V 65-75V	72V 84-90V
输出电流 Output current	30A	20A	15A	10A	8A	6A
效率 Efficiency	92%(full load)		认证 Certification	CE		