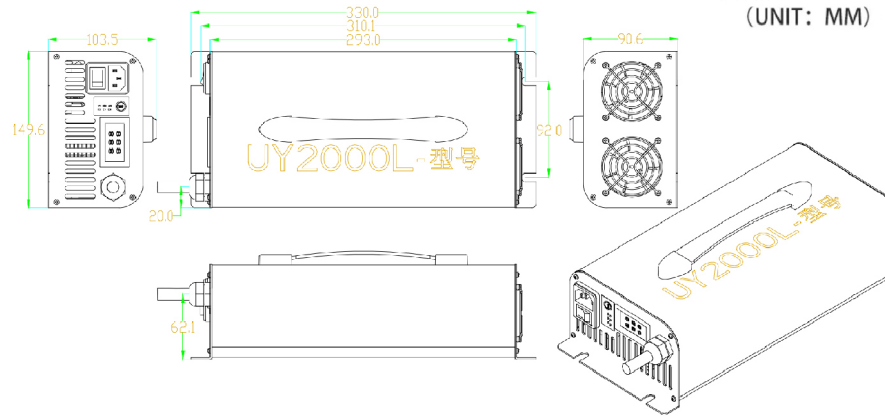


UY2000L Series Chargers

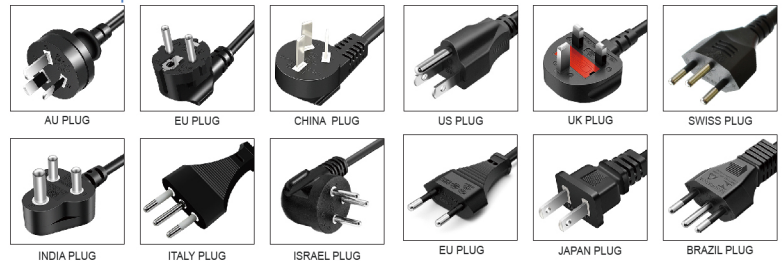


(UNIT: MM)

Product Specification

Total output power	2000W
Output circuit	Single output
Output voltage	24-72V
Input range	W:100~240Vac H:200~240Vac L:100~120Vac
Frequency	47 - 63Hz
Maximum input power	1950W
Efficiency	≥91%
Leakage current	≤0.75mA
Power factor	0.95
Operating temperature	-20℃—+40℃
Storage temperature	-40~70℃
Product characteristics	<ul style="list-style-type: none"> • Three preset charging curves for users to switch (LFP/NCM/L-A); • With charging protection function: over temperature/over voltage/over current/short circuit/reverse protection APFC+LLC resonant half-bridge topology; • LED light indicates the current working status;
Security authentication	EN 62368-1:2014+A11:2017

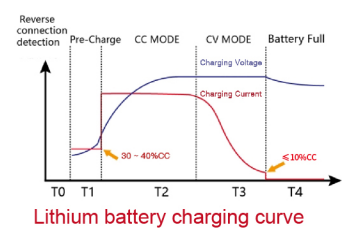
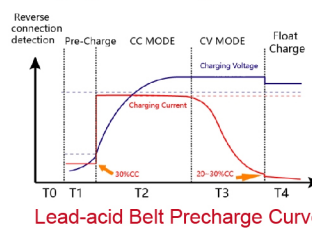
Common Input Connectors



Common Output Connector



Charging Curve Diagram



Output Reference

UY2000L								
Product specification	Dc voltage (Max)			Maximum Charging Current		Charge complete current		
	NCM	LFP	L-A	115Vac	230Vac	Lithium	L-A	
24V 55A	29.4V	29.2V	29.4V	40	55	5.0	13.80	
36V 40A	42.0V	43.8V	44.1V	30	40	4.0	10.00	
48V 30A	54.6V	58.4V	58.8V	20	30	3.0	7.25	
60V 25A	67.2V	73.0V	73.5V	20	25	2.50	6.30	
72V 22A	84.0V	87.6V	88.2V	17	20	2.20	5.50	