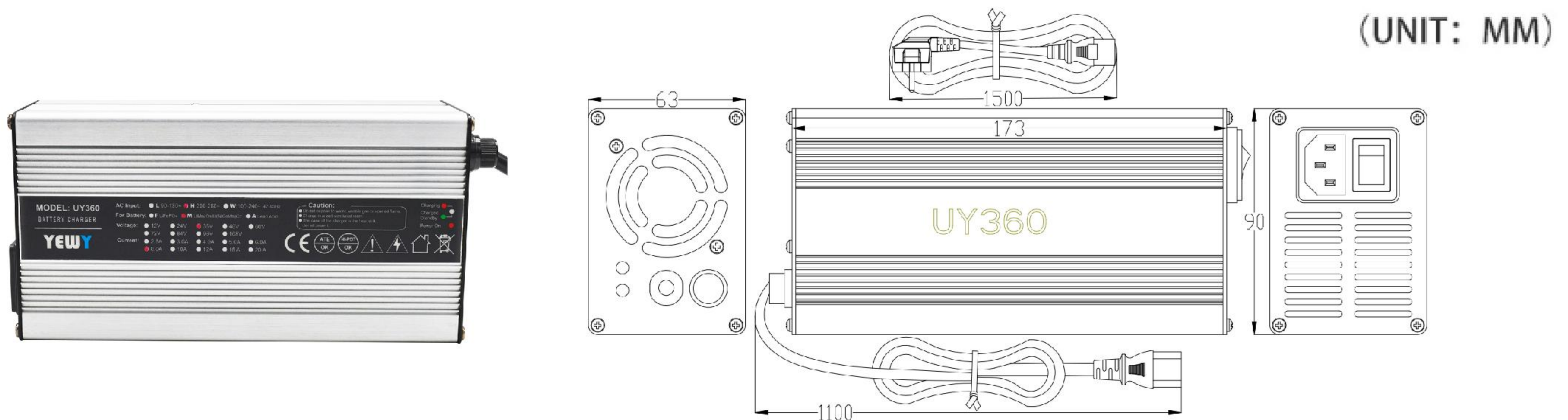


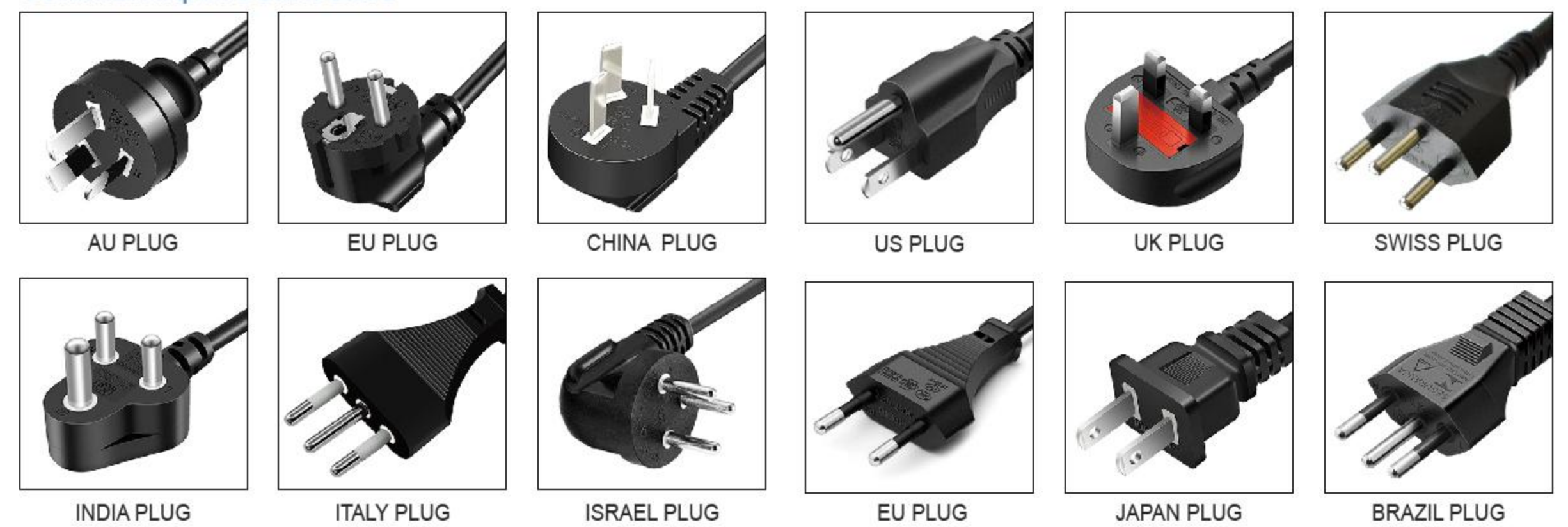
UY360 Series Chargers



Product Specification

Total output power	360W
Output circuit	Single output
Output voltage	12 - 84V
Input range	AC:100-120Vac/200-240Vac
Frequency	50 - 60Hz
Input fuse	10A
Maximum input power	419W
Efficiency	≥86%
Leakage current	≤0.75mA
Operating temperature	-20°C—+40°C
Storage temperature	-40~70°C
Product characteristics	<ul style="list-style-type: none"> • Adopt stable and reliable flyback circuit topology; • With over voltage, over current, short circuit, reverse connection, full off or trickle, anti reverse charging and other multiple protection; • Use quiet cooling fans; • Aluminum alloy shell, beautiful and strong, durable;
Security authentication	EN 62368-1:2014+A11:2017

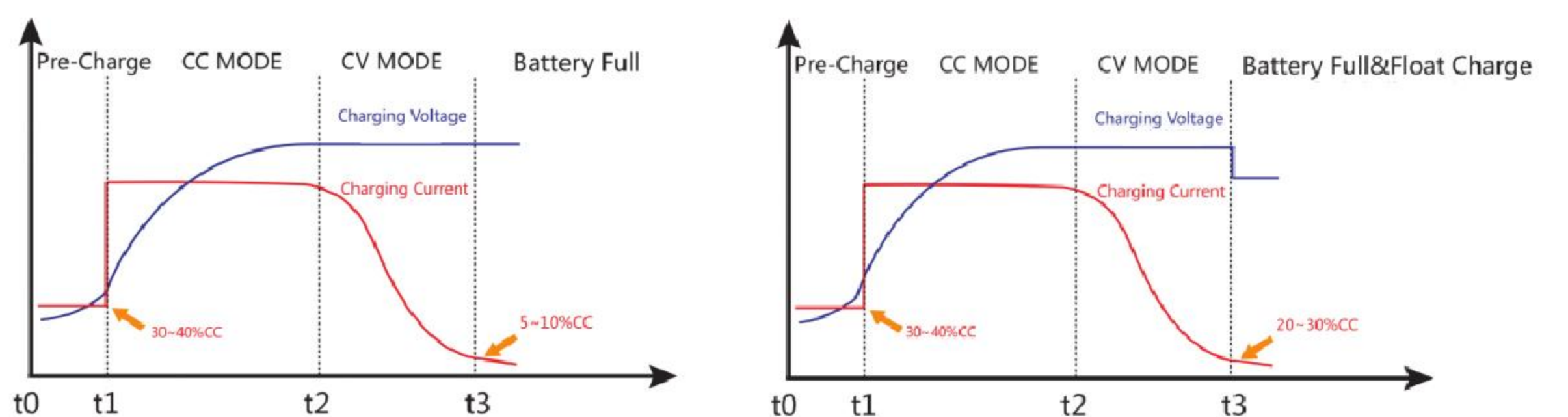
Common Input Connectors



Common Output Connector



Charging Curve Diagram



Output Reference

Model	Output Voltage	Constant Voltage	Constant Current	Switching Current		AC Input Plugs (optional)	DC Output Plugs (optional)	Adjustment Rate/Load Adjustment Rate
				Li (CC8%)	Lead-acid (CC25%)			
1	12 V	14.6 V	20 A	1600ma	5000ma	Refer to AC input plugs	Refer to DC output plugs	1%
2	24 V	29.4 V	12 A	960ma	3000ma	Refer to AC input plugs	Refer to DC output plugs	1%
3	36 V	43.8 V	8 A	640ma	2000ma	Refer to AC input plugs	Refer to DC output plugs	1%
4	48 V	58.8 V	6 A	480ma	1500ma	Refer to AC input plugs	Refer to DC output plugs	1%
5	60 V	67.2 V	5 A	400ma	1250ma	Refer to AC input plugs	Refer to DC output plugs	1%
6	72 V	87.6 V	4 A	320ma	1000ma	Refer to AC input plugs	Refer to DC output plugs	1%
7	84 V	102.9 V	3 A	240ma	750ma	Refer to AC input plugs	Refer to DC output plugs	1%